



3 bedroom apartment to rent £1,500  
Brechin Place, South Kensington

# Brechin Place, South Kensington

£1,500 pw Fully managed

A very spacious maisonette on the 3rd and 4th floors with lift. Reception room, dining room, kitchen/breakfast room, three double bedrooms, three bathrooms, cloakroom. Well presented and available immediately fully furnished with a stunning roof terrace.

Brechin Place is a quiet and attractive road of Victorian terraced red brick town houses. It runs west off the Southern end of the Gloucester Road and parallel with the Old Brompton Road. Gloucester Road underground station (Circle, District, Piccadilly) is within very close proximity which is ideal for commuting. This location also provides for easy access to the M4.

Holding Deposit: £1,500



3 bedroom apartment to rent | 1,442ft<sup>2</sup>

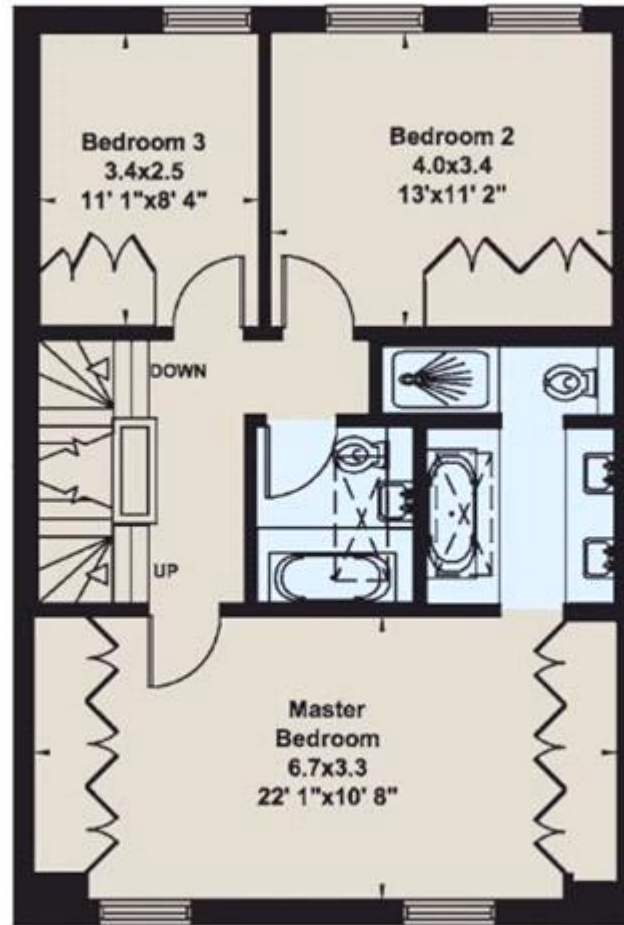
**LondonDom.com**

Phone: **0207 12345 90** | Email: **info@londondom.com**

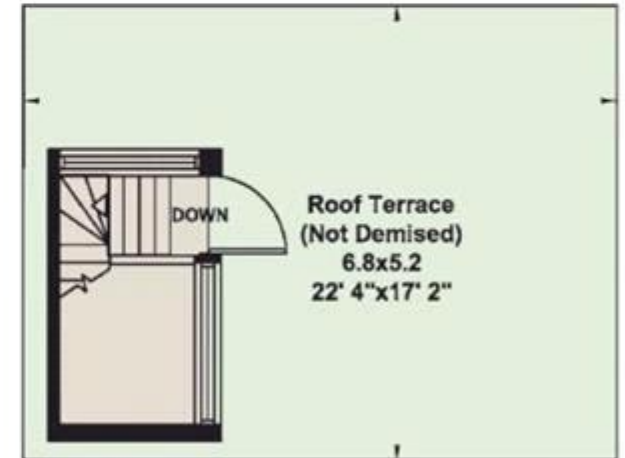
Address: **52 Grosvenor Gardens, London SW1W 0AU**



THIRD FLOOR



FOURTH FLOOR



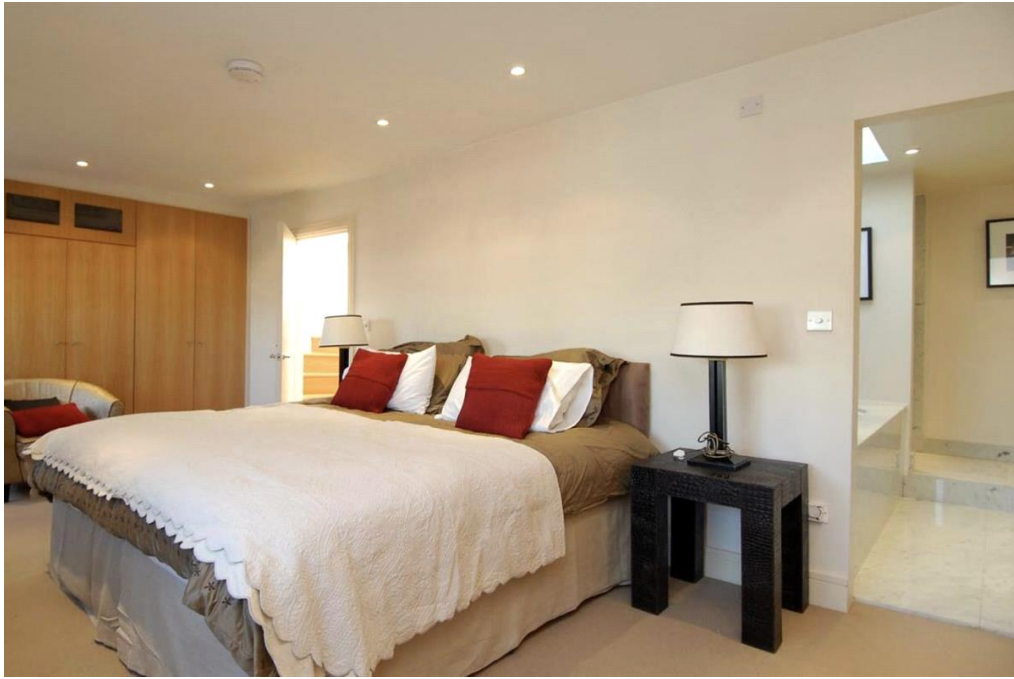
FIFTH FLOOR

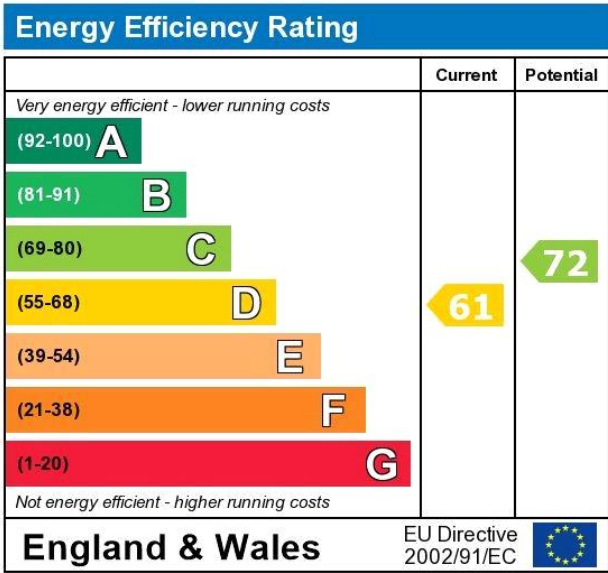
APPROXIMATE  
GROSS INTERNAL AREA =

134 sq m (1,442 sq ft)









The energy efficiency rating is a measure of the overall efficiency of a home. The higher the rating the more energy efficient the home is and the lower the fuel bills will be.